

DC-AH METER

New

Direct current multiplication ammeter

FAH-510SM

Shant resistance input: DC50/60mV

Preset multiplication/total multiplication counter



FAH-510SH

Shant resistance input: DC50/60mV

Double preset multiplication/total multiplication counter



Feature

- Goods for RoHS
- With analog output function(optional feature)
- With self resetting function
- The current setting value is 1A-36000A.



Forest Co., Ltd.

FAH-510SM

DC-AH METER

Shant resistance input: DC50/60mV
Preset multiplication/total multiplication counter

Goods for RoHS

Specification

Kind of input	:	1-36000A DC Shant (branch machines of 60mV or 50mV)
Range of input	:	DC0~60mV or DC0~50mV
<Range of taking>	:	DC2~60mV or DC2~50mV
Accuracy	:	±0.5%(at7~60mV) It is within ±2% in 2-6mV.
The maximum multiplication current value	:	99999999.99(AH/AM)
Measurements display	:	Six digit display <ul style="list-style-type: none">• Preset multiplication value• Total multiplication value• Current value
Set value display	:	Six digit display <ul style="list-style-type: none">• Preset setting value• Specification of decimal point position• Specification of each integrated value of A-H/A-M• Specification of Shant rated voltage(60mV/50mV)• Specification of ratings current value(1~36000A)• Specification of self resetting time(0-10 seconds)<ul style="list-style-type: none">* It is a setting and the self resetting function is not provided for 0 seconds.• Specification of analog output specification
Over set output	:	Relay point of contact output one point 1ab (AC200V 3A MAX)
Analog output < optional feature >	:	DC4~20mA (The input circuit is non-insulation.) Kind selection PV : Current measurement value output COUNT : Multiplication count amount output
Reset input signal	:	Wireless pressure point of contact input one point It is a short-circuit of 50mSec or more and RESET.
Memory function	:	Number of multiplication and various set values, etc. Backup with lithem battery The backup period: It is at 25°C for about ten years.
Power supply	:	AC90~264V(The power supply variation is contained.) 50/60Hz
Power consumption	:	7VA MAX
Permissible ambient temperature	:	-10~50°C
Allowance and surroundings humidities	:	35~85%RH
Installation method	:	Panel burial
Weight	:	400g

Model code

FAH-510SM-N FAH-510SM-1
(standard set goods)(with analog output)



FAH-510SH

DC-AH METER

Shunt resistance input: DC50/60mV

Double preset multiplication/total multiplication counter

Goods for RoHS

Specification

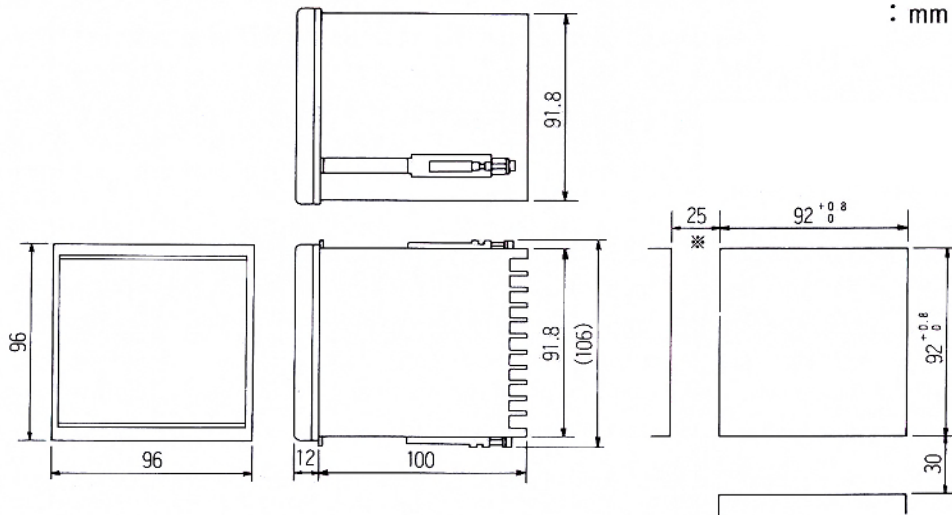
Kind of input	:	1-36000A DC Shant (branch machines of 60mV or 50mV)
Range of input	:	DC0~60mV or DC0~50mV
<Range of taking>	:	DC2~60mV or DC2~50mV
Accuracy	:	±0.5%(at 7~60mV) It is within ±2% in 2-6mV.
The maximum multiplication current value	:	99999999.99(AH/AM)
Measurements display	:	Six digit display <ul style="list-style-type: none"> · Preset multiplication value 1 · Preset multiplication value 2 · Total multiplication value · Current value
Set value display	:	Six digit display <ul style="list-style-type: none"> · Preset setting value 1 · Preset setting value 2 · Specification of decimal point position · Specification of each integrated value of A-H/A-M · Specification of Shant rated voltage(60mV/50mV) · Specification of ratings current value(1~36000A) · Specification of self resetting time(0-10 seconds) <ul style="list-style-type: none"> * It is a setting and the self resetting function is not provided for 0 seconds. · Specification of analog output specification
Over set output	:	Relay point of contact output two points 1ab (AC200V 3A MAX)
Analog output < optional feature >	:	DC4~20mA (The input circuit is non-insulation.) Kind selection PV : Current measurement value output COUNT : Multiplication count amount output
Reset input signal	:	Wireless pressure point of contact input two points It is a short-circuit of 50mSec or more and RESET.
Memory function	:	Number of multiplication and various set values, etc. Backup with lithem battery The backup period: It is at 25°C for about ten years.
Power supply	:	AC90~264V (The power supply variation is contained.) 50/60Hz
Power consumption	:	8VA MAX
Permissible ambient temperature	:	-10~50°C
Allowance and surroundings humidities	:	35~85%RH
Installation method	:	Panel burial
Weight	:	400g

Model code

FAH-510SH-N FAH-510SH-1
(standard set goods)(with analog output)

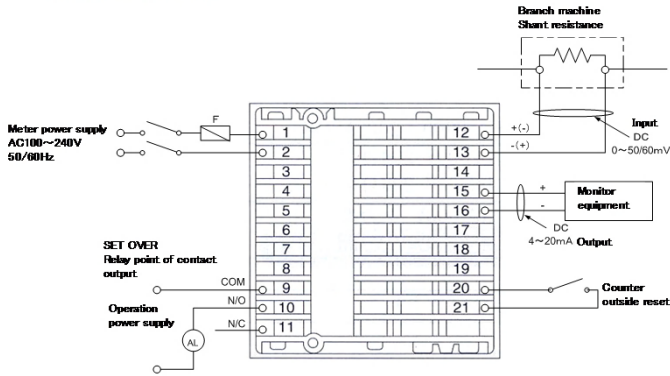


■ Externals size and panel cutting size

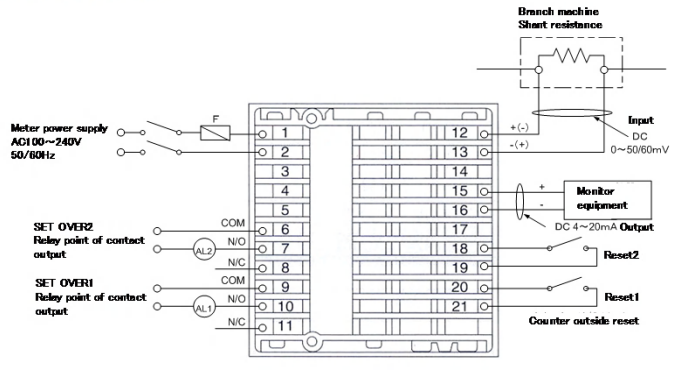


■ The back terminal and chart of connecting wires

FAH-510SM



FAH-510SH



Business line

- Automatic temperature control meter
- Various temperature detection edges
- Direct-current ampere-hour meter
- Direct-current ampere-hour meter by microcomputer control
- Thyristor power controller
- Heater disconnection alarm
- In addition, electronic application apparatus

Forest Co., Ltd.

Head Office
Shimouma 4-14-15, Setagaya-ku, Tokyo 154-0002, Japan
Telephone : +81 3 3421 5141
Fax : +81 3 3421 5145

Yamanashi Fuji Plant
Shibokusa, Oshino-mura, Minami-Tsuru, Yamanashi
401-0511, Japan
Telephone : +81 555 84 2503
Fax : +81 555 84 3157

homepage <http://www.forest-ele.co.jp/>



1509001
Q3223

Caution in using	<ul style="list-style-type: none"> ● Since this product is not manufactured for the applications stipulated in the Export Trade Control Ordinance, it cannot be used for the purpose of weapons of mass destruction. ● The final application and final customer must be checked so that it will not be used for weapons of mass destruction (military application, military equipment). Due attention must also be paid to the re-sale so that it will not be illegally exported.
-----------------------------	---